
7694 Elevator Assembly

	Description	HP Part No.	Qty
1	Motor, elevator vials	425-01 9-HSP	1
2	Plate, vial elevator	301 -1 29-HSP	1
3	Shaft, secondary wheel	301 -058-HSP	1
4	Wheel, secondary	301 -065-HSP	1
5	Belt for elevator	301 -009-HSP	1
6	Wheel, motor	301 -057-HSP	1
7	Block, rod	301 -054-HSP	2
8	PCB, TB2 optical sensor	41 5-306-HSP	1
9	Plate, lock belt	301 -056-HSP	1
Associated screws, washers, nuts, spacers, and circlips			
A	Spacer, Nylon 1 0 X 4.5 X 4	301 -1 05-HSP	3
B	Screw, M3 X 1 0 flat head	051 5-1 005	9
C	Screw, M3 X 6 pan head	051 5-0924	4
D	Nut, M50535-0005	1	
E	Washer, toothed D5	21 90-0641	1
F	Washer, flat D5	3050-0894	1
G	Circlip, D5	300-900-HSP	1
H	Setscrew, M4 X 5	300-892-HSP	1
I	Circlip, D8	300-902-HSP	2
J	Screw, pan head M4 X 1 2	051 5-0909	1
K	Screw, socket head M4 X 1 2	300-837-HSP	2
L	Washer, toothed M4	21 90-0640	2
M	Washer, flat M4	3050-0893	2

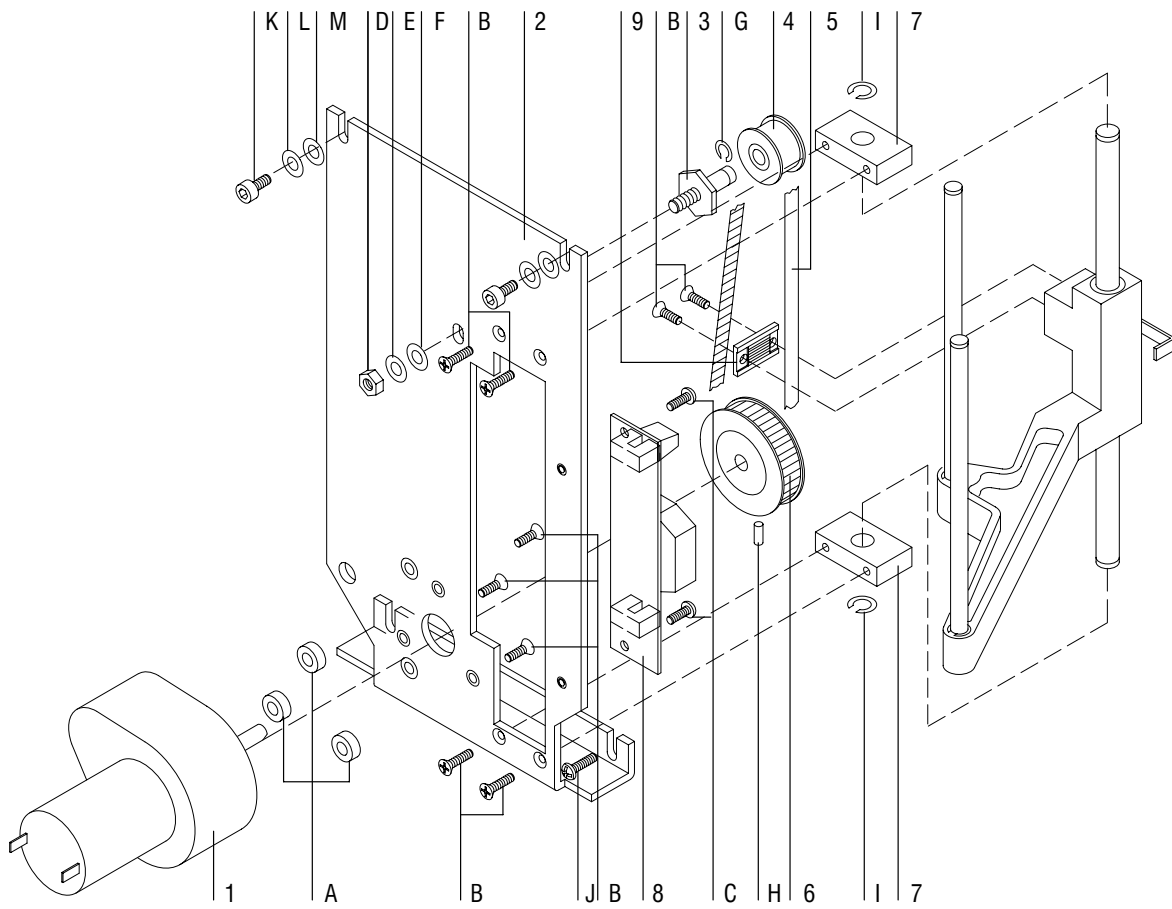


Figure 6-5. Elevator Assembly